

V O L V O



L60H, L70H, L90H, L110H, L120H, L150H, L180H, L200H High Lift, L220H, L350H

WHEEL LOADERS IN LOG HANDLING

Volvo Construction Equipment



Welcome to our world

Welcome to a world of industry leading machinery. A world where imagination, hard work and technological innovation will lead the way towards developing a future which is cleaner, smarter, and more connected. A world supported by the enduring values of the Volvo Group. A world of stability, sustainability and innovation. A world which we put our customers at the heart of.

Welcome to the world of Volvo Construction Equipment – we think you're going to like it here.

Working harder, working smarter

For over 180 years Volvo has been a pioneer in the design and manufacture of machines which set the standard for efficiency, performance and uptime. Across our range of excavators, wheel loaders and haulers, our reputation for engineering excellence is unrivalled, which means whatever your operation or application, we can provide a total fleet solution to help you succeed.

Building on our proud history, the Volvo Concept Lab continues to create cutting-edge ideas and innovative concepts, to ensure we offer customers machines which work harder and smarter long into the future.



Solutions for you

Our industry leading machines are just the start of your relationship with Volvo. As your partner, we have developed an extensive range of additional solutions to help you improve uptime, boost productivity and reduce costs.

Designed for your business

Structured across nine blocks, our portfolio of products and services are designed to complement your machine's performance and boost your profitability. Simply put, we offer some of the best guarantees, warranties and technological solutions in the industry today.

There when you need us

Whether you're buying new or used, our global network of dealers and technicians offer around-the-clock support, including machine monitoring and world-class parts availability. It's the basis of everything offered by Volvo Services, so you can be confident we've got you covered right from the start.



BUILDING TOMORROW



The perfect package

Built for the job

Specialized tasks require specialized equipment, which is why Volvo offers wheel loaders configured to meet the unique requirements of a wide range of applications. Our application specific wheel loaders are designed and built to ensure you achieve superior results according to the unique demands of the segment you are working in.

The right machine options, tires and attachments all combine to ensure our specially adapted wheel loaders deliver maximum safety and performance. As with all Volvo products you can trust in the full support and back-up of your Volvo dealer, and aftermarket Volvo solutions, for the lifetime of your machine.



King of the timber yard

Introducing Volvo log loaders

Drawing on more than six decades of experience in building machines and attachments for the forestry industry, we present our line-up of Volvo Wheel Loaders, tailor made to cope with the intense demands of logging applications.

With the log handling package the proven Volvo Wheel Loaders are configured to boost the capacity for lifting and carrying heavy timber loads, and provide the durability needed to take on tough working environments and round-the-clock shifts.

Rise to the challenge

Make easy work of daily challenges such as working in confined spaces, reaching high log stacks and tackling adverse terrain, thanks to the purpose-made Volvo log loader. Adapted to thrive in forestry environments, these machines deliver the performance and reliability needed to get the job done.

Ultimate performance

Volvo log loaders are built to perform. The even weight distribution, logging counterweight and low ground pressure from wide low profile tires provide outstanding stability, traction and tipping load. This is supported by the Torque Parallel linkage system (L60H-L220H), first introduced to the market by Volvo, which secures parallel movement and optimizes lifting, breakout and roll-out forces in top position, helping to stack heavy loads at high heights. On the L350H, the Z-bar lifting arm enables to efficiently handle loads weighing up to 23 tonnes.



Agile and efficient

Shorten cycle times with the Volvo log loader. Highly maneuverable, the wheeled machine features a short overhang, making it the perfect machine to quickly and easily negotiate timber yards and confined areas. Faster operation and improved fuel efficiency are enhanced even further with technologies such as OptiShift and lock-up transmission.



Operator's choice

Designed to keep operators comfortable, Volvo log loaders provide excellent visibility, with optional light packages also available for low light working conditions. The Boom Suspensions System reduces bouncing when travelling at high speed and the high-quality hydraulic system gives operators the control and responsiveness needed to perform at their best.



Mix and match

Whether you need to work with a log grapple or bucket, you can change between attachments on-the-go in seconds with the Volvo Attachment bracket.



Simple servicing

Benefit from industry-renowned levels of Volvo uptime with quick and easy servicing, including electronically operated engine hood, slidable cooling installation and auto-lubrication system. For quick and easy access to essential maintenance points, the Volvo cab can be tilted to either a 30° or 70° angle.

Some features are not available on all models.



L200H High Lift

4 meter-long maximum reach,
stack logs up to 6.9 meters high

Up to 11.2 tonne workload

Built-in windshield guards

Front view camera (option)

Range of log grapples, including
360° rotator unit

Boom Suspension System

Lube system

Log pusher: up to 30%
higher stack (option)



Load Assist suite of apps, accessed from the in-cab Volvo Co-Pilot display

- On-Board Weighing
- Operator Coaching
- Tire Pressure Monitoring System

Electronically operated engine hood

Tiltable cab

OptiShift

Integrated rearview camera and optional radar detect system

Logging counterweight



L60H to L220H

Windshield guard (option)

Torque Parallel linkage

Boom Suspension System

Volvo Attachment
bracket

Third hydraulic
function

OptiShift
(L110H-L220H)

Low profile 65 series
tires (option)



**Roll Over Protection
System (ROPS)**

**Electronically operated
engine hood**

Tiltable cab (L150H-L220H)

**Fire Suppression
System (option)**

Radiator grill guard (option)

Logging counterweight



L350H

Comfort Drive
Control

Roll Over Protection
System (ROPS)

Log handler
lift cylinders

Z-bar linkage

Up to 23 tonne workload

OptiShift

Boom Suspension
System

Third hydraulic
function

Heavy-duty rims
and 65 series tires



**Remote-control
door opener**

**Surrounding
walkways**

**Powerful D16 engine, with
optional auto shut down**

**Heavy-duty logging
counterweight**



Optimize performance

Only by using Volvo Attachments can you be sure of optimum performance from your Volvo Wheel Loader in terms of fuel efficiency, lifting force and break-out forces. We offer a full attachment range engineered to deliver outstanding durability in logging applications.

More information can be found in the Attachments brochure, or in the Attachments selector tool, available for IOS on App store, for Android on Play Store and China Android Store.

Log grapples



High-lift log grapples (L200H High Lift)



Log pusher



Forks



Light Material buckets



High-Tip buckets



Attachment bracket



"Volvo, with its special attachments for wood handling, has the upper hand over other manufacturers. If we could choose only one brand it would be Volvo."

Hans Weinzierl Junior,
Managing Director at HOLZWERKE WEINZIERL (Germany)

Configured for success

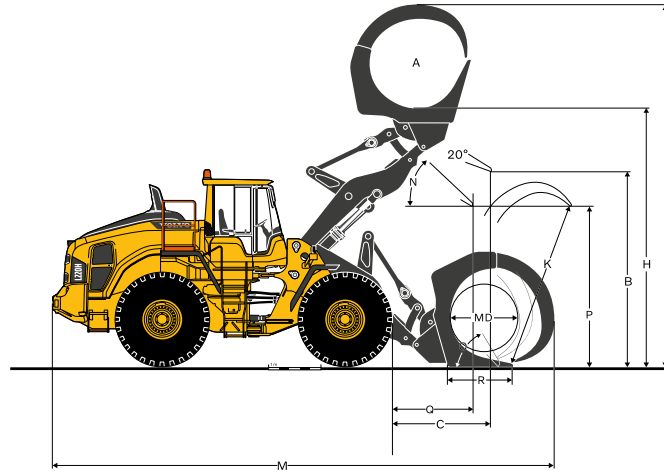
Benefit from all the features and functions found on a standard Volvo Wheel Loader, combined with the specialist equipment needed to succeed in logging. In addition to the log handling package, there are a number of other options we can offer to help you succeed in this application.

- Included in the Log handling package
- * Included in standard machine configuration
- o Optional equipment

	VOLVO LOG LOADERS									
	L60H	L70H	L90H	L110H	L120H	L150H	L180H	L200H High Lift	L220H	L350H
Attachment bracket	•	•	•	•	•	•	•		•	•
Boom Suspension System (BSS)	•	•	•	•	•	•	•	•*	•	•
Logging counterweight	•	•	•	•	•	•	•	•*	•	•
Log handler lift cylinders										•
Third hydraulic function	•	•	•	•	•	•	•		•	•
Fourth hydraulic function	o	o	o	o	o	o	o		o	o
Comfort Drive Control (CDC)	o	o	o	o	o	o	o	o	o	•*
Log pusher							o	o	o	
Rear-view camera	o	o	o	o	o	o	o	o	o	o
Front-view camera	o	o	o	o	o	o	o	o	o	o
Radar detect system	o	o	o	o	o	o	o	o	o	o
Factory fit Fire supression system	o	o	o	o	o	o	o	o	o	o
Lube system	o	o	o	o	o	o	o	•*	o	o
Reversible fan	o	o	o	o	o	o	o		o	o
Reversible cooling fan and axle oil cooler		o	o	o	o	o	o	o	o	
Front belly guard	o	o	o	o	o	o	o	o	o	o
Rear belly guard	o	o	o	o	o	o	o	o	o	o
Headlight guards	o	o	o	o	o	o	o	o	o	o
Radiator grille guard	o	o	o	o	o	o	o	o	o	o
Tail light guards	o	o	o	o	o	o	o	o	o	o
Windshield guards	o	o	o	o	o	o	o	•*	o	o
Side and rear window guards	o	o	o	o	o	o	o	o	o	o
LED work lights packages	o	o	o	o	o	o	o	o	o	o
Contact your Volvo dealer for more information	o	o	o	o	o	o	o	o	o	o
Engine air pre-cleaner, cyclone type	o	o	o	o	o	o	o	o	o	o
Engine air pre-cleaner, turbo II type	o	o	o	o	o	o	o	o	o	o
OptiShift				o	o	•*	•*	•*	•*	•*
Includes Lock-Up and Reverse by Braking										
Lock-up	o	o	o							•*
Liquid in rear tires								•*		
Liquid in front tires								o For 775/ 65R29 tires only		

Depending on the country, some optional equipment listed above may be included in the standard machine configuration.

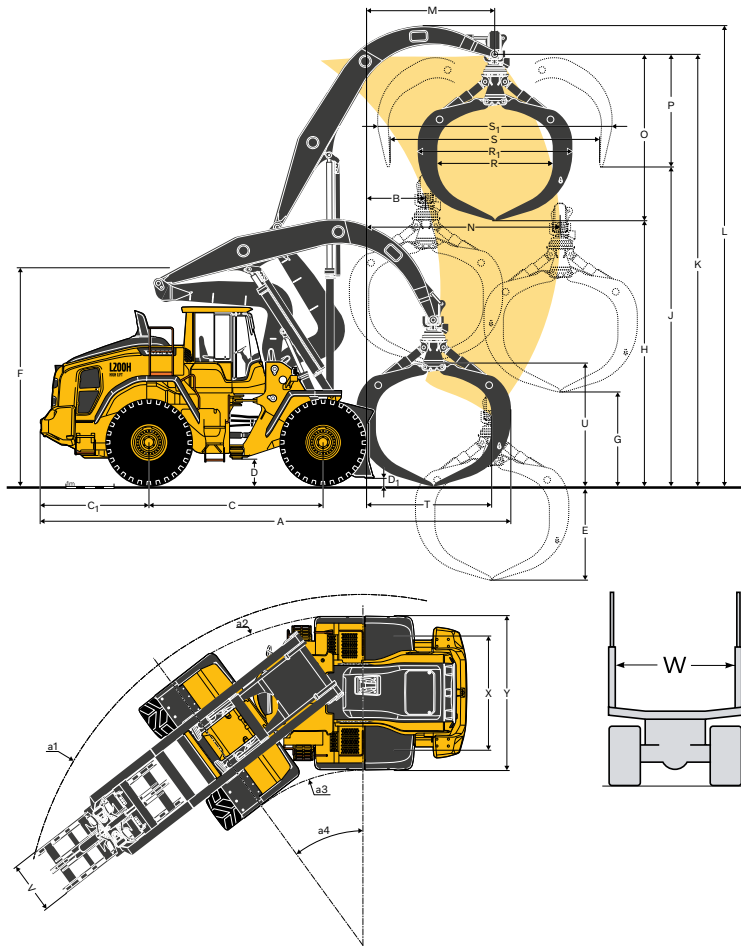
Specifications



Model		L60H*	L70H*	L90H*	L110H*	L120H*	L150H*	L180H*	L220H*	L350H*
Low profile tires		600/65R25	650/65R25	750/65R25	750/65R25	775/65R29	775/65R29	875/65R29	875/65R29	875/65R33
Attachment		Attachment Bracket + Sorting Grapple								Pin On Grapple
A	m ²	1.3	1.5	1.8	2.4	2.4	3.1	3.7	4	5.95
B	mm	3 380	3 350	3 510	3 470	3 550	3 660	3 760	3 930	3 950
C	mm	1 510	1 620	1 540	1 850	1 890	2 110	2 260	2 260	3 090
H	mm	4 300	4 350	4 590	4 580	4 660	4 990	5 170	5 360	5 510
I	mm	5 850	6 000	6 380	6 620	6 690	7 270	7 670	7 740	8 630
K	mm	2 080	2 370	2 630	2 990	2 990	3 340	3 650	3 940	4 420
M	mm	7 890	8 020	8 240	8 840	8 930	9 670	10 020	10 380	12 300
MD	mm	1 000	1 050	1 060	1 200	1 200	1 350	1 470	1 480	2 390
N	deg	61	61	60	66	65	58	56	54	34
O	deg	97	84	81	76	78	70	70	68	43
P	mm	2 680	2 610	2 710	2 500	2 580	2 700	2 750	2 960	3 420
Q	mm	920	980	870	980	1 020	1 320	1 460	1 510	2 740
R	mm	870	910	1 020	1 180	1 180	1 350	1 470	1 480	2 280
Grapple width	mm	1 600	1 600	1 630	1 630	1 630	1 800	1 830	1 830	2 750
Static tipping load, straight	kg	5 890	6 510	8 060	9 210	10 060	12 420	14 250	15 100	33 400
at 35° Turn	kg	5 210	5 760	7 080	8 110	8 850	11 030	12 560	13 300	29 400
at full turn	kg	5 010	5 540	6 790	7 790	8 500	10 870	12 370	13 090	28 940
Operating weight	kg	12 390	14 180	16 520	20 000	20 740	26 520	29 760	33 300	59 220

* Measured with additional logging counterweight

		L60H	L70H	L90H	L110H	L120H	L150H	L180H	L220H	L350H
Tires		20.5R25		23.5R25		26.5R25		29.5R25	875/65R33	
B	mm	31	31	5	16	6	-10	10	-23	-
C	mm	-29	-29	5	-10	-10	9	-15	23	-
H	mm	31	31	4	16	6	-10	10	-23	-
I	mm	31	31	4	16	6	-10	10	-23	-
P	mm	31	31	4	16	6	-10	10	-23	-
Q	mm	-29	-29	5	-10	-10	9	-15	23	-
Static tipping load, straight	kg	5	-1	-248	-222	-264	-330	-404	-433	-
at 35° Turn	kg	8	3	-221	-194	-244	-301	-378	-400	-
at full turn	kg	9	4	-213	-186	-239	-298	-375	-396	-
Operating weight	kg	-24	-24	-560	-568	-568	-676	-772	-944	-



Model: L200H High lift

Tires: 875/65 R29*

Rotating grapple, 360°, 4.3 m², 54578540

B	mm	1 210
C	mm	3 550
C ₁	mm	2 230
D	Ground clearance	mm 540
D ₁	Ground clearance with log pusher	mm 250
F	Min machine height with grapple tilted forward	mm 4 790
K	mm	9 070
L	mm	9 630
M	mm	2 610
N	mm	3 970
T	mm	2 540
U	mm	2 500
X	mm	2 400
Y	mm	3 260
a ₁	mm	7 390
a ₂	mm	6 980
a ₃	mm	3 680
a ₄	°	± 37
Log pusher length**	mm	200

* The 775/65 R29 tires affect the dimensions B, E, M, N, T by +70 mm and heights G, H, J, K, L by -70 mm.

** The log pusher affects the length A by +200 mm and the lengths B, M, N by -200 mm.

Note: When unloading a vehicle, the log grapple's width (R) should be the same or less compared to the distance between the "stakes" (W) on the vehicle.

		Round shaped								Heart shaped
Tires: 875/65 R29		Chain				Arms				Arms
Order no.		55019257	55019260	55019263	55019272	55019148	55019230	55019243	54578540	55019237
Clamping		Chain				Arms				Arms
Grapple area	m ²	3.4	3.7	4	4.3	3.4	3.7	4	4.3	3.7
A	mm	9 620	9 680	9 740	9 770	9 620	9 680	9 740	9 770	9 680
E	mm	1 560	1 680	1 800	1 920	1 560	1 680	1 800	1 920	1 860
G	mm	2 250	2 130	2 010	1 890	2 250	2 130	2 010	1 890	1 950
H	mm	5 980	5 860	5 740	5 620	5 980	5 860	5 740	5 620	5 680
J	mm	6 890	6 830	6 770	6 710	6 890	6 830	6 770	6 710	6 740
O	mm	3 090	3 210	3 330	3 450	3 090	3 210	3 330	3 450	3 390
P	mm	2 180	2 240	2 300	2 360	2 180	2 240	2 300	2 360	2 330
R	mm	2 400	2 400	2 400	2 400	2 400	2 400	2 400	2 400	2 400
R ₁	mm	3 070	3 130	3 190	3 220	3 070	3 130	3 190	3 220	3 130
S	mm	3 730	3 950	4 160	4 370	3 730	3 950	4 160	4 370	4 210
S ₁	mm	4 300	4 500	4 700	4 900	4 300	4 500	4 700	4 900	4 410
V	mm	1 100	1 100	1 100	1 100	1 100	1 100	1 100	1 100	900
Grapple weight	kg	2 520	2 580	2 650	2 750	2 870	2 950	3 060	3 140	2 880
Max working load*	kg	11 150	11 090	11 030	10 920	10 800	10 730	10 620	10 540	10 790
Operating weight**	kg	36 300	36 360	36 420	36 520	36 650	36 720	36 830	36 910	36 650
Timber		x	x	x	x	x	x	x	x	
Shortwood (pulpwood)										x
Unloading against wall										x
Tire availability		775 & 875		875		775 & 875		875		775 & 875

* Fully articulated, with tire deflection, boom retracted by ~750 mm with 875 tires and by ~850 mm with 775 tires.

** Including liquid in rear tires.

Note: Log pusher increases operating weight by 970 kg. Radiator grille guard (WL86023) increases operating weight by 130 kg and increases the working load by 100 kg. Fire suppression system increases operating weight by 85 kg.

More than machines

Engineering machines which deliver outstanding results is just the start of how we can support your operation. As your partner we are here to help with every aspect of your Volvo machinery: how you use it, maintain it, pay for it and even how you sell it. Our portfolio of services is designed to complement your machine's performance and boost your profitability.

Volvo Simulators

With Volvo Simulators, wheel loader operators can develop their skills without creating risk to site personnel or machinery. Operators can practice specific scenarios related to forestry applications, such as loading and unloading lumber trucks using log grapples, resulting in a safer and more productive workplace when operators get back into real-world conditions.

Maintenance and repair agreements

Stay on track with planned servicing and keep your asset covered with our range of flexible maintenance and repair options.

ActiveCare

Maximize machine uptime and reduce repair costs with ActiveCare. Utilizing CareTrack data, the intelligent service provides round the clock machine monitoring, as well as customer reports – to help take predictive and preventative maintenance actions.

Genuine Volvo Parts

Maintain productivity and machine uptime with our range of readily available, tested and approved parts – all backed by Volvo warranty. Only by using Genuine Volvo Parts, can you protect your investment, extend machine life and guarantee long-lasting performance.



Keep it in the family

In addition to wheel loaders, Volvo is proud to provide an extensive portfolio of solutions to the forestry industry. Throughout our machinery line-up we are committed to producing machines which deliver outstanding results in log handling applications.



V O L V O